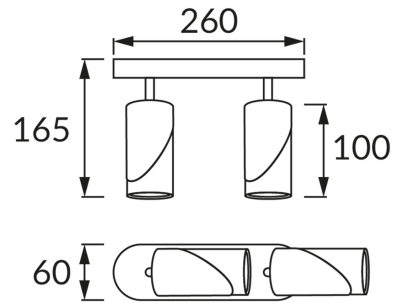


**PRODUCT INFORMATION SHEET**



**BASIC INFORMATION**

Product name:	<b>ZEBRA SPT GU10 2L BLACK/WHITE</b>
Ideus index:	<b>04213</b>
EAN barcode:	<b>5901477342134</b>
Colour :	<b>Black/white</b>
Materials:	<b>Aluminium alloy cast, steel sheet</b>
Height:	<b>165 mm</b>
Width:	<b>260 mm</b>
Depth:	<b>60 mm</b>
Box packaging:	<b>20 pcs</b>

**PRODUCT PARAMETERS**

Power supply:	<b>220-240V 50/60Hz</b>
Power:	<b>2 x max 35 W</b>
Lampholder type:	<b>GU10</b>
Dedicated light source:	<b>LED</b>
	<b>Possibility of light source replacement</b>
Product offer the possibility of adjusting the illumination direction:	<b>Yes</b>
Electric shock protection class:	<b>1</b>
Degree of protection provided against intrusion dust, accidental contact and water:	<b>IP20</b>
	<b>For indoor use</b>
CE	<b>Declaration of conformity</b>