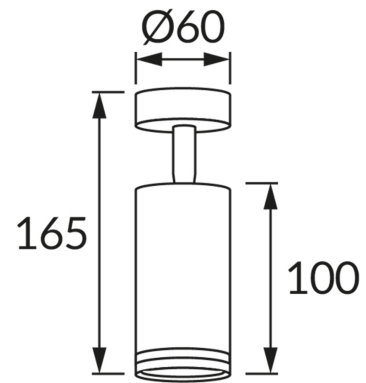


**PRODUCT INFORMATION SHEET**



**BASIC INFORMATION**

|                |  |
|----------------|--|
| Product name:  | <b>ZULA SPT GU10 WHITE</b>                 |
| Ideus index:   | <b>03995</b>                               |
| EAN barcode:   | <b>5901477339950</b>                       |
| Colour :       | <b>White</b>                               |
| Materials:     | <b>Aluminium alloy cast, acrylic glass</b> |
| Height:        | <b>165 mm</b>                              |
| Width:         | <b>60 mm</b>                               |
| Depth:         | <b>60 mm</b>                               |
| Box packaging: | <b>50 pcs</b>                              |

**PRODUCT PARAMETERS**

|   |  |
|---|--|
| Power supply:   | <b>220-240V 50/60Hz</b>                        |
| Power:  | <b>max 35 W</b>                                |
| Lampholder type:  | <b>GU10</b>                                    |
| Dedicated light source:   | <b>LED</b>                                     |
|   | <b>Possibility of light source replacement</b> |
| Product offer the possibility of adjusting the illumination direction:              | <b>Yes</b>                                     |
| Electric shock protection class:  | <b>1</b>                                       |
| Degree of protection provided against intrusion dust, accidental contact and water: | <b>IP20</b>                                    |
|   | <b>For indoor use</b>                          |
| CE  | <b>Declaration of conformity</b>               |