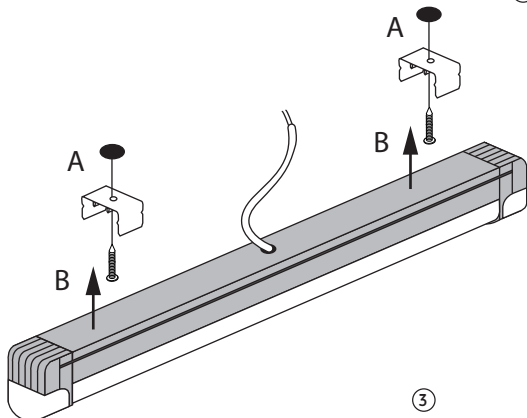
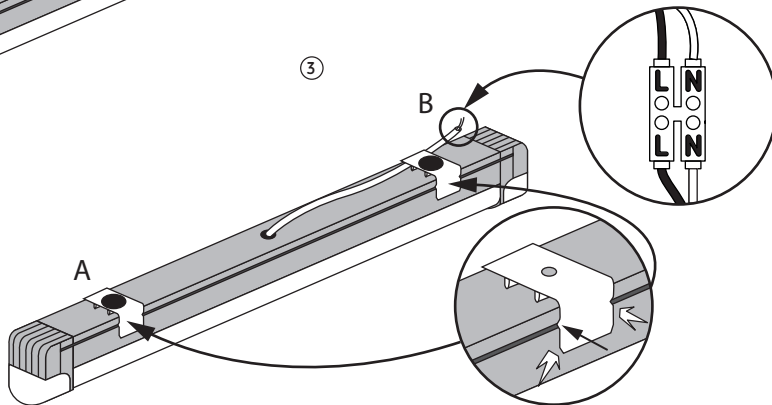


②



③



① → ③ C, B, A → ③ B



